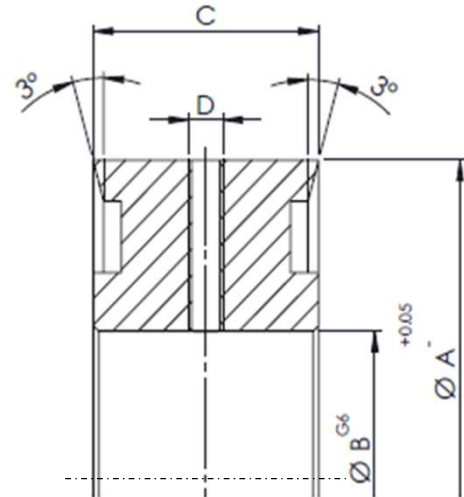


STANDARD BOTTOMKNIVES DATASHEET

MATERIAL QUALITY	
K720 (STD)	UNI.2077/100CR6 Reg. 6% CR steel, according to standards k720
K100 (CHR)	1.2379/13%Cr/D3 13% chrome steel, according to standards:
HSS	High Speed Steel, according to standards: UNI: X 82 W MO-06-05 KU / DIN: S 652 / Werkstoff: 1.3343
K40	HARD METAL TUGSTEN CARBIDEHard Carbide Steel, according to standards: UNI K40
ASP 2023	

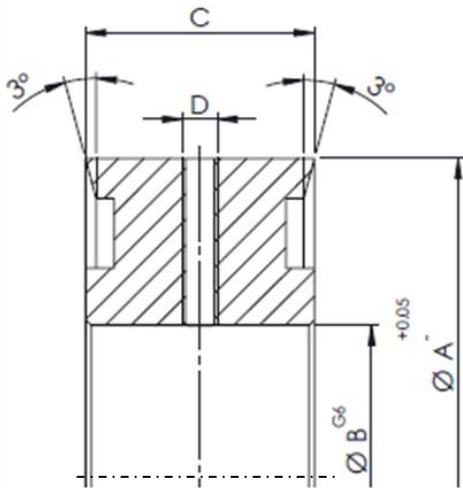


MODELS	DIMENSIONS				BOTTOMKNIVES CODES FOR EACH MATERIAL				
	A, mm	B, mm	C, mm	D, mm	K720 STD	K100 CHR	HSS	K40 CARB	ASP 2023
T-71	77	45	20	M6	131002				
T-72	77	45	25	M6	131003				
T-100	90	60	20	M6	128477		129438		
T-101	90	60	30	M6	131004				
T-200	105	60	20	M6	128478				
T-201	105	60	30	M6	128361				
T-300	105	80	20	M6	128479				
T-301	105	80	30	M6	128465				
T-400	120	80	40	M6	128480				
T-500	130	80	40	M6	128481				
T-505	130	100	40	M6	131006				
T-600	160	101,6	40	M6	128364				
T-601	160	100	40	M6	129105				

MODELS	DIMENSIONS				BOTTOMKNIVES CODES FOR EACH MATERIAL				
	A, mm	B, mm	C, mm	D, mm	K720 STD	K100 CHR	HSS	K40 CARB	ASP 2023
T-602N	150	120	40	M6					
T-603	160	120	40	M6					
T-603	160	120	40	M6					
T-604	160	130	40	M6	129128				
T-606	150	100	40	M6	131007				
T-100C	90	70	3.5	x	129102				
T-200C	105	70	3.5	x	129103				
T-300C	105	85	5	x	129104				
T-400C	120	85	5	x	129106				
T-500C	130	85	5	x	129107				
T-600C	160	120	5	x	129108	129109	131032	129389	129485
T-600K	160	120	5	x	129111	129458	131012	129495	129494
T-651C	180	120	5	x	129147				
T-JAG	200	150	10	x	129113	129483		129178	129553
/	250	150	10	Side hole	129344	129490	131013		129491
/	250	50	10	Side hole	129339	129399	131014	129461	129480
/	250	50	5	Side hole	129310	129311		129478	129477
	250	50	5	Side holes	129311				

NOTE : Other materials, not on the list, can be inquired

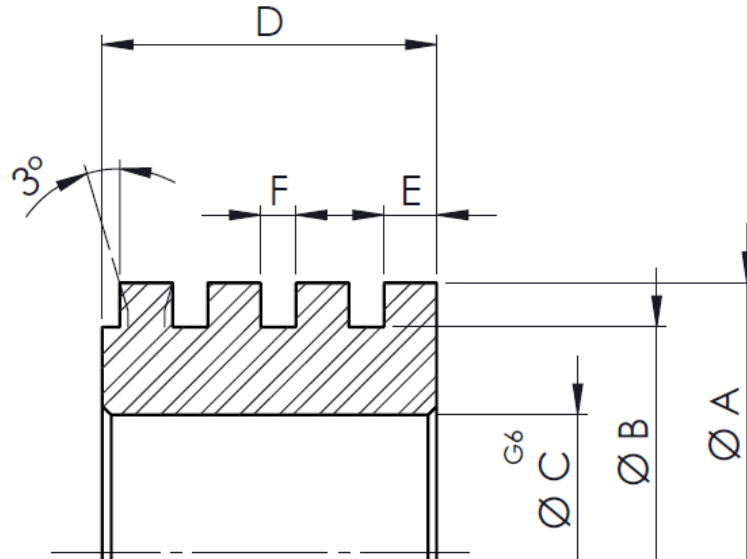
**BOTTOMKNIVES INQUIRY:
FULLFILL WITH MISSING DIMENSIONS**



FULLFILL WITH DIMENSIONS			
A	B	C	D

CHOOSE MATERIAL QUALITY	
K720 (STD)	<input type="checkbox"/> UNI.2077/100CR6
K100 (CMR)	<input type="checkbox"/> 1.2379/13%Cr/D3
HSS	<input type="checkbox"/> HIGH SPEED STEEL
K40 (Car)	<input type="checkbox"/> HARD METAL TUGSTEN CARBIDE
ASP 2023	<input type="checkbox"/>

**MULTIGROOVE BOTTOMKNIVES INQUIRY:
FULL FIL WITH MISSING DIMENSTIONS**



FILL IN FOR YOUR REQUEST							
A	B	C	D	E	F	G	H

CHOOSE MATERIAL QUALITY	
K720 (STD)	<input type="checkbox"/> UNI.2077/100CR6
K100 (CMR)	<input type="checkbox"/> 1.2379/13%Cr/D3
HSS	<input type="checkbox"/> HIGH SPEED STEEL
K40 (Car)	<input type="checkbox"/> HARD METAL TUGSTEN CARBIDE
ASP 2023	<input type="checkbox"/>